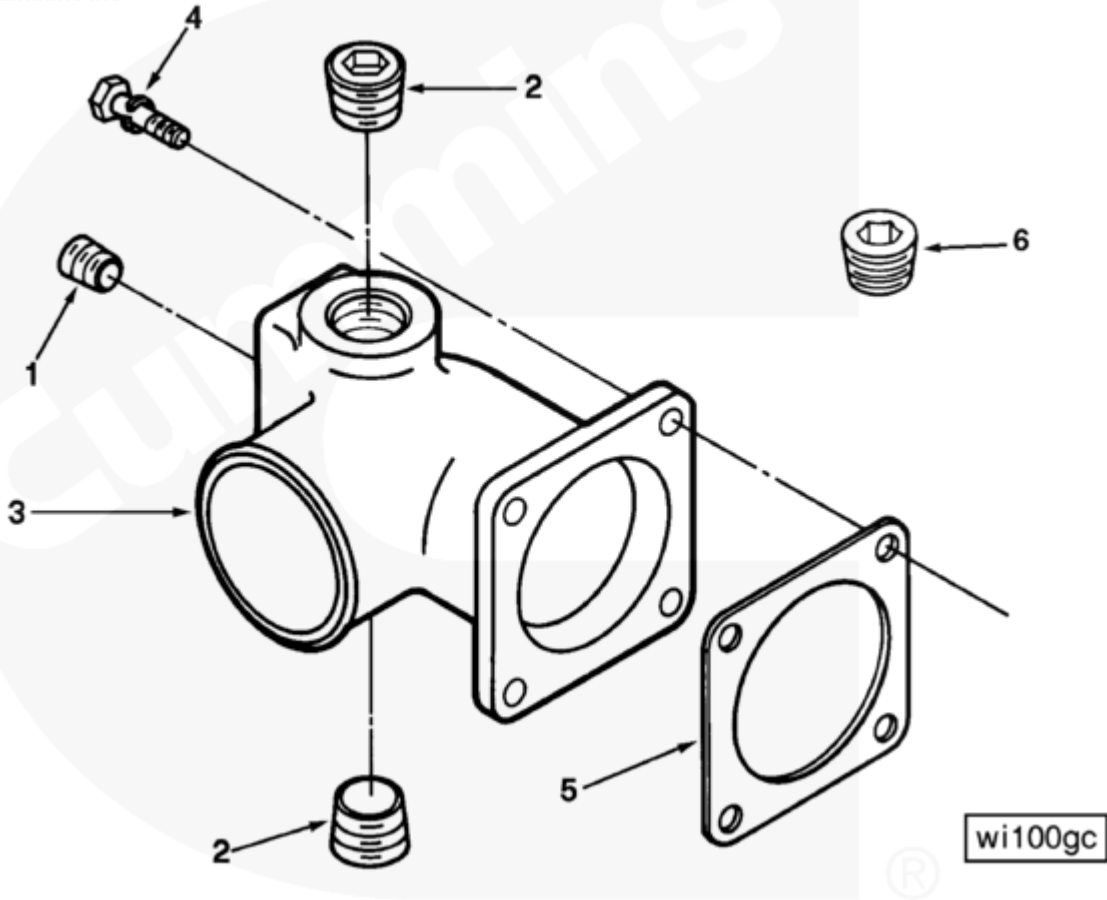




Parts Catalog - Option Detail

| Electronic Parts Catalog - Option Detail | | | | |
|--|--------------------------------------|---------|-----------|-----------|
| Option | Group | Graphic | Film Card | Date |
| WI1030 | 08.07.1 | wi100gc | F | 15-FEB-94 |
| Engines | NH/NT 855, NT495, NT743, NTA855 N106 | | | |

©Cummins Inc



[SMALL](#) | [MEDIUM](#) | [LARGE](#)

| Cart | Ref No | Part Number | Part Description | Required | Remarks |
|------------------------------|--------|------------------------|------------------------|----------|---------------------------|
| View My Cart | | | | | |
| | | WI1030 | Water Inlet Connection | | |
| | | | | | Water Inlet Connection |
| | | | | | 3 inch (76mm) O.D. water |
| | | | | | inlet connection, bolted |
| | | | | | directly to side of water |

| | | | | | |
|--------------------------|---|-------------------------|--------------------------|---|----------------------------|
| | | | | | pump and pointing forward. |
| | | | | | Used with heat exchanger. |
| | | | | | heat exchanger. |
| | | | | | |
| <input type="checkbox"/> | 1 | 3008468 | Pipe Plug | 1 | 1/2 NPT. |
| <input type="checkbox"/> | 2 | 3008470 | Pipe Plug | 2 | 1 NPT. |
| <input type="checkbox"/> | 3 | 3010374 | Water Inlet Connection | 1 | |
| <input type="checkbox"/> | 4 | 3012471 | Captive Washer Cap Screw | 4 | 3/8 - 16 x 1 1/8 in. |
| <input type="checkbox"/> | 5 | 3024960 | Connection Gasket | 1 | |
| <input type="checkbox"/> | 6 | 3025458 | Pipe Plug | 1 | 1/8 NPT. |

© 2019 Cummins Inc., Box 3005, Columbus, IN 47202-3005 U.S.A.
Terms of Use and Disclaimers | Recommended System Requirements
Need Assistance? Please click on the Contact Us button in the top right corner of any page.